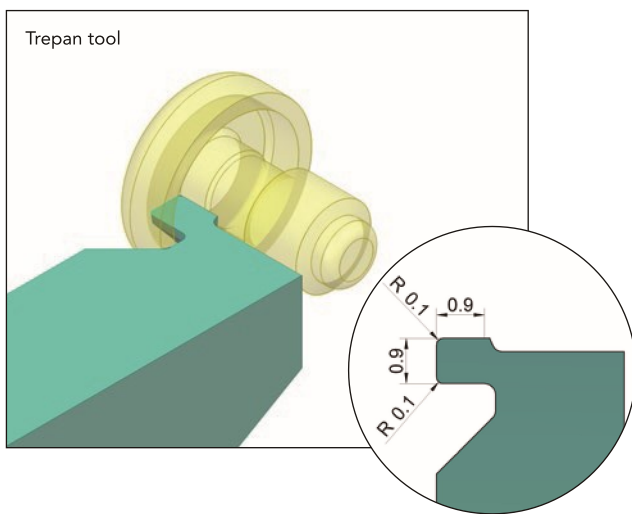


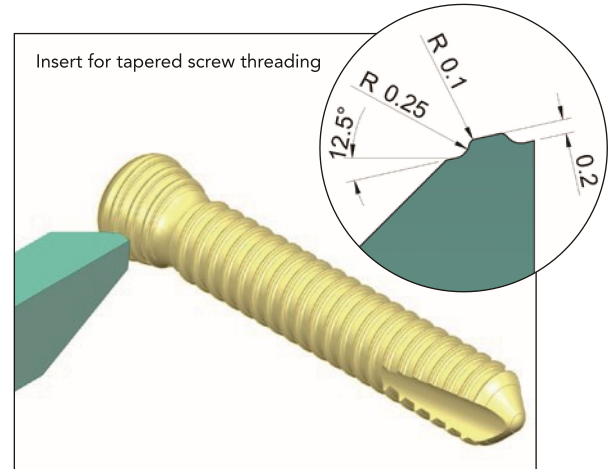
# Sline

## Special adaptable inserts

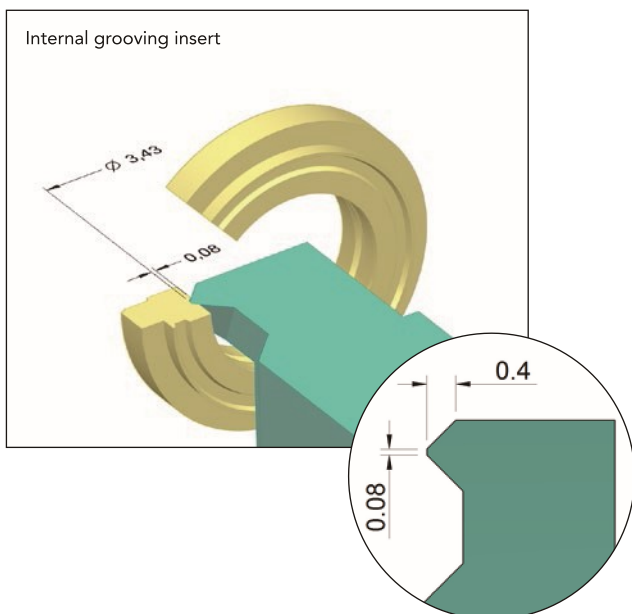
### Dental



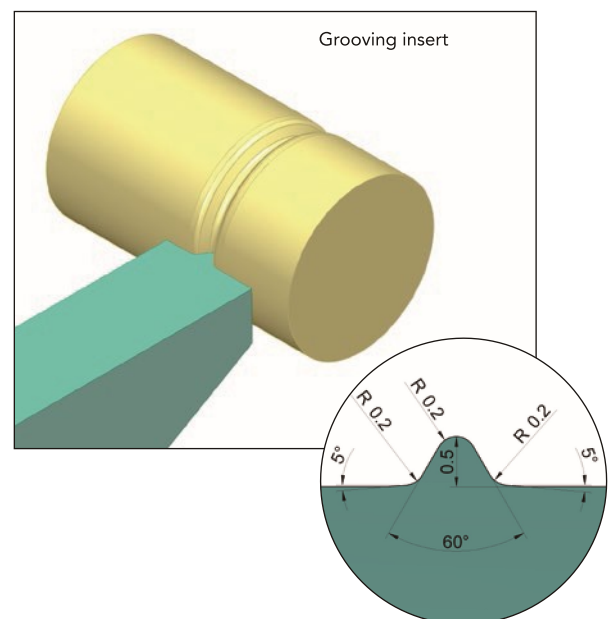
### Medical



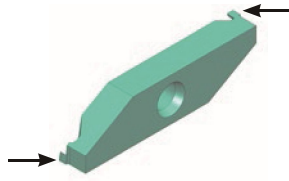
### Watch industry



### Micromechanics

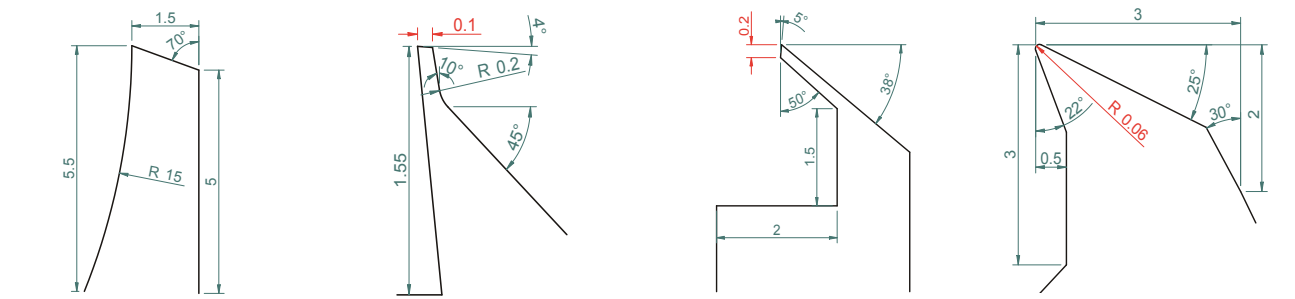
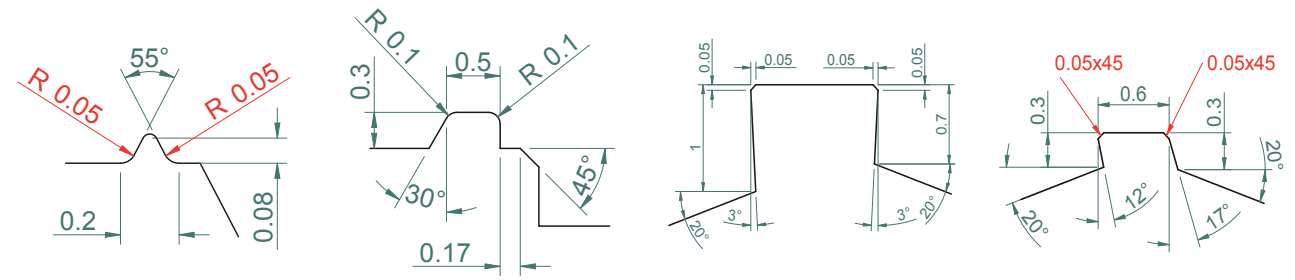
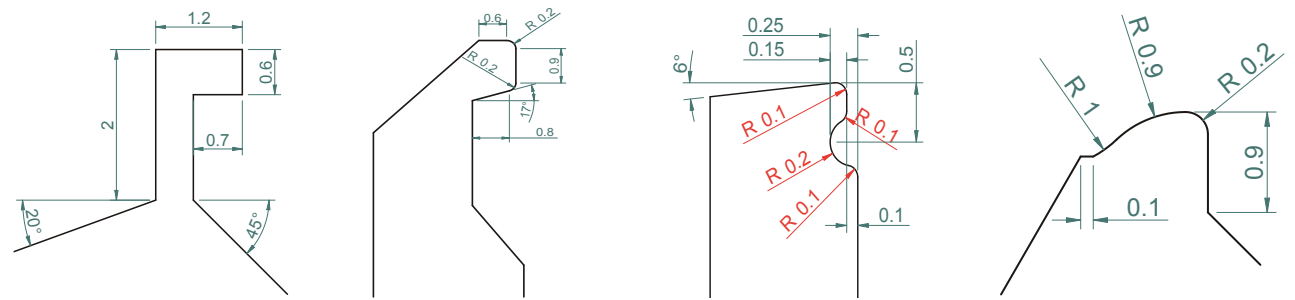
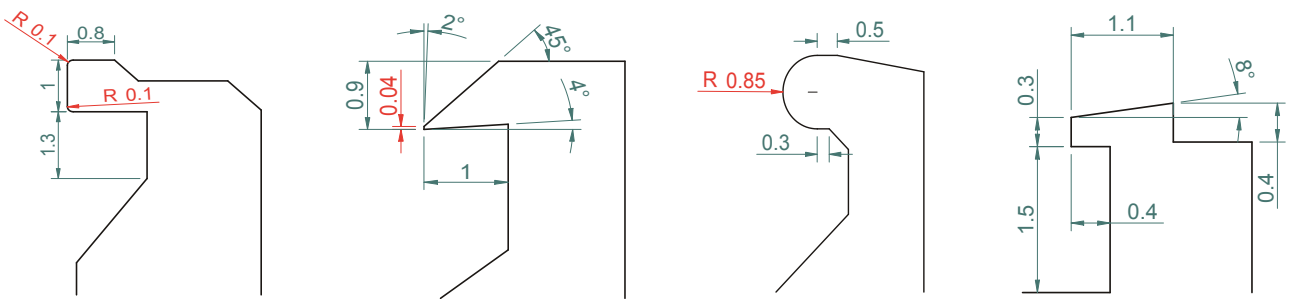
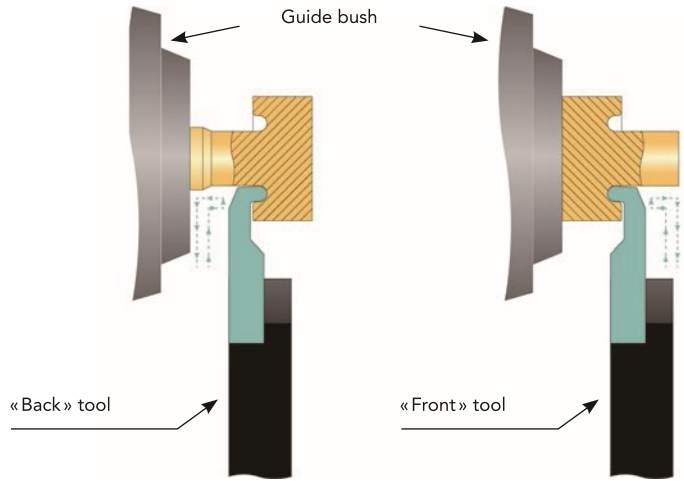


2 cutting edges

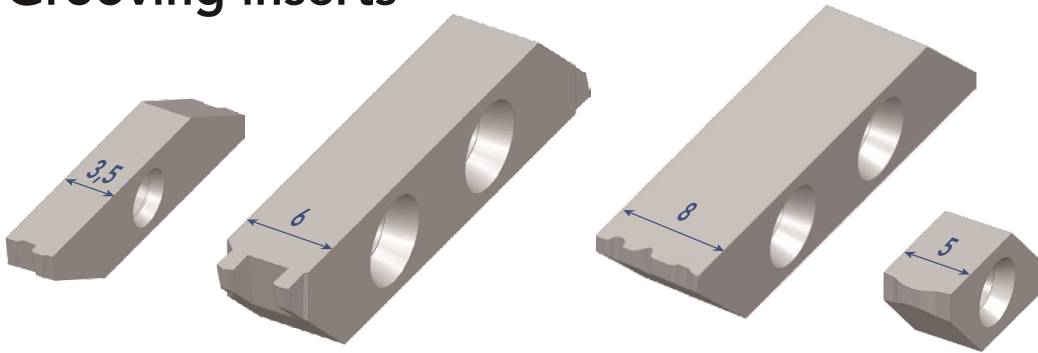


«Back» or «front» execution

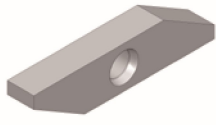
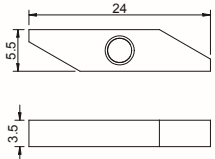

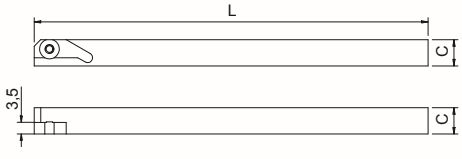

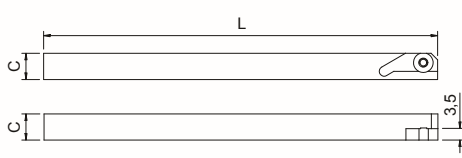

Examples of realizable profiles

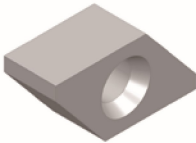
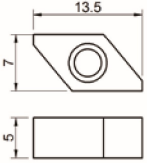



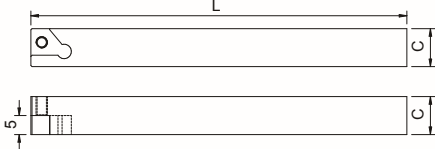
## Grooving inserts




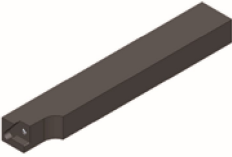
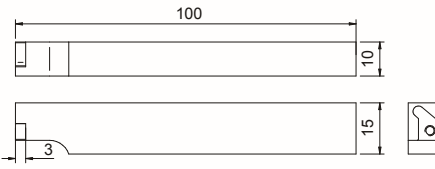
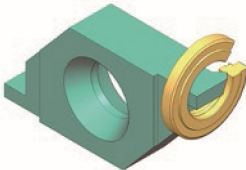
- Fully ground to your specification (examples of profiles illustrated).
- 3 different widths of blank inserts available.
- Double ended.
- Coated inserts.


<b>040R/L3,5K10</b> <b>3,5 mm</b>	Blank insert 3,5 mm (left and right)	Article nr.		
		040R/L3,5K10		
<b>0xxR</b>	Right tool-holder for 3,5 mm inserts	Section C	Length L	Article nr.
		7 x 7 8 x 8 10 x 10 12 x 12 16 x 16 20 x 20	120 120 120 120 100 100	007R 008R 010R 012R 016R 020R
<b>0xxL</b>	Left tool-holder for 3,5 mm inserts	Section C	Length L	Article nr.
		7 x 7 8 x 8 10 x 10 12 x 12 16 x 16 20 x 20	140 140 120 120 100 100	007L 008L 010L 012L 016L 020L
<b>001-2</b>	Screw for tool-holders 0xxR and 0xxL	Article nr.		
	M2,5 x 7,5	001-2		

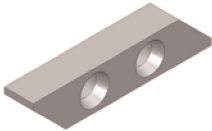
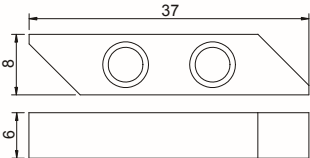
<b>340R5</b> 5 mm	Blank insert 5 mm (left and right)	Article nr.		
		340R5		


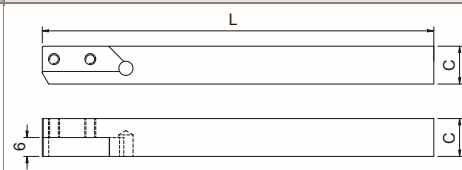
<b>38xxR</b>	Right tool-holder for 5 mm inserts	Section C	Length L	Article nr.
		10 x 10	100	3810R
		12 x 12	100	3812R
		16 x 16	100	3816R


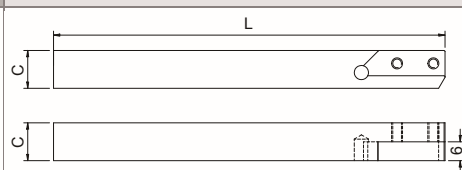
<b>100-3</b>	Screw for tool-holder 38xxR	Article nr.		
	M3,0 x 10	100-3		


<b>3xx15RF</b>	Frontal tool-holder for 3 mm inserts	Section C x D	Length L	Article nr.
		10 x 15	100	31015RF
		12 x 15	100	31215RF
		<i>Please contact us for further information about 3 mm inserts.</i>		
				

<b>001-3</b>	Screw for tool-holder 3xx15RF	Article nr.		
	M3,0 x 6,5	001-3		

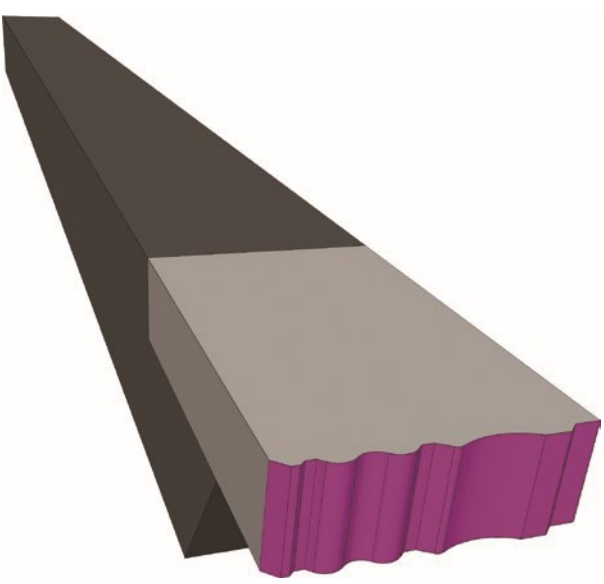
<b>715R/L-6</b> 6 mm	Blank insert 6 mm (left and right)	Article nr.		
		715R/L-6		

100BH3-1xxR-6	Right tool-holder for 6 mm inserts	Section C	Length L	Article nr.
		12 x 12	120	100BH3-112R-6
		16 x 16	120	100BH3-116R-6

100BH3-1xxL-6	Left tool-holder for 6 mm inserts	Section C	Length L	Article nr.
		12 x 12	120	100BH3-112L-6
		16 x 16	120	100BH3-116L-6

001-10	Screw for tool-holders 100BH3-1xxR-6 and 100BH3-1xxL-6	Article nr.
	M3,5 x 11,5	001-10

### Profile grinding on brazed tool



**The profile requested by the customer is grinded on the brazed tool.**

Brazed tool provided by the client or by Bimu.